

STATIONARY

## Electric-Driven Single Stage & Two Stage Dry Type Vacuum Pumps

Vacuum is one of the most versatile of power sources. It can lift, hold, compact, evacuate, move, dehydrate, agitate, actuate, form, rotate, filter, clean and simulate high altitude.

In printing, plastics, materials handling, food processing, packaging, health care and many other industries, vacuum is called upon to perform many essential functions.

All of these requirements are met by the Ingersoll Rand T30 air cooled reciprocating single stage and two stage vacuum pumps.

These pumps achieve vacuum upto 737mm (29.0" Hg) for single stage and upto 754.4mm (29.7" Hg) for two stage configuration, at sea level.



Model	Piston Displacement	Vacuum (Hg)	Motor
	cfm	inch	hp
V235	21.60	29.00	2.0
V235T	10.80	29.60	2.0
V244	34.60	29.00	3.0
V244T	17.30	29.65	3.0
V255	60.00	29.00	5.0
V255T	30.00	29.70	5.0
7V	110.00	29.00	7.5
7VT	55.00	29.65	7.5
15V	149.60	29.20	10.0
15VT	99.00	29.65	10.0

- Note :
1. Suffix T denotes two stage.
  2. These vacuum pumps can be supplied bare or base - plate mounted.
  3. Optional Items: Scrubber, Vacuum gauge and Low oil level switch.
  4. Performances indicated are at sea level.

## Air Treatment Products

### Reliable, Clean, Dry Air.

Minimize problems and expenses with an efficient, reliable and environmentally sound solution for cleaner, drier air.



Note: Models are also available for high working pressure upto 35 kg/cm<sup>2</sup>. Details available on request.



www.ingersollrand.co.in  
www.ingersollrandproducts.com

**Regional Offices' Phone Numbers** • WEST – Mumbai : (022) 61540500, Nagpur/Raipur : (0) 7755922194, Pune : (020) 41005400, Surat : (0261) 2350064, Indore : (0731) 2435622 • EAST – Kolkata : (033) 24011224/24014258, Jamshedpur : (0657) 2233128/129 • SOUTH – Bangalore, Karnataka : (080) 22166001, 4342 7000, Chennai, TN & Kerala : (044) 40147000, Coimbatore : (0) 9344601020, Secunderabad, AP : (040) 27849813/16/24 • NORTH – Chandigarh : (0172) 3247151/2664334, Gurgaon : (0124) 6729000, Haridwar : (0) 9358631990

Product improvement is a continuing goal at Ingersoll Rand. Designs and specifications are subject to change without notice or obligation. Ingersoll Rand compressors are not designed, intended or approved for breathing air application.

### Ingersoll Rand (India) Ltd.

21-30, GIDC Estate, Naroda, Ahmedabad - 382 330, India.

Phone : (079) 2282 0123, 2282 0323

Fax : (079) 2282 1003, 2282 1256

E-mail : airsolutionsindia@irco.com

Customer Support Center 1-800-102-7926

customersupportindia@irco.com

© 2015 Ingersoll Rand



# T30

## Reciprocating Air Compressors

### Ingersoll Rand - T30

A leader in its class since 1929

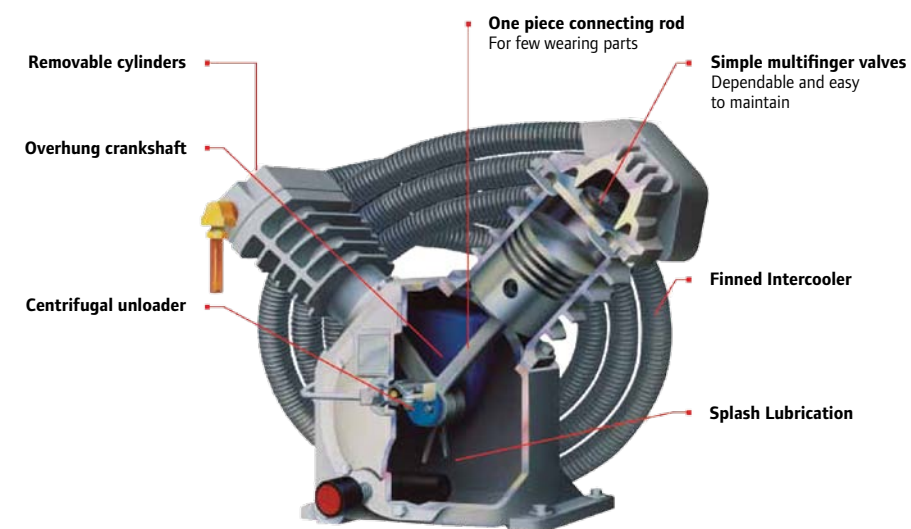
The Ingersoll Rand T30 has been the leader in its class since it was introduced in 1929. Whether this is measured by reliability, efficiency, rugged flexibility or maintainability, it has no equal. Designed for heavy industrial applications, the two stage reciprocating air compressors provide the quality and performance that exceed customer requirements.

Others may claim to handle heavy duty applications, but the T30 defines the concept. Run it in the most demanding intermediate duty application imaginable. The T30 unique and ideal to meet your demands of a compressor package in the 3-30 HP range.

After all, we've been doing this for over 100 years!

### The Inside Story

A two-stage model (1) compresses air to an intermediate pressure in the first stage, (2) removes heat of compression through an intercooler, and (3) compresses air to a final pressure in a second compression stage. Two-stage compressors are more efficient and are generally used for pressures above 100 PSI (maximum pressure to 175 PSI).



### No other Reciprocating Compressor offers these efficient, cost-saving features:

A durable cast iron pump which provides 15,000+ hours of trouble-free service

A 100% copper finned intercooler lowers operating temperatures and extends pump life

An overhung crankshaft and single-piece connecting rod allow access to the running gear for easy maintenance

Individually cast cylinders provide flexible, less expensive maintenance on just one cylinder at a time rather than servicing the entire pump

STATIONARY

## Electric-Driven Two Stage – Air Cooled

Designed for heavy shop or industrial use, Ingersoll Rand Two-Stage electric air compressors provide the quality and performance that are ideal for most applications and users, including: automotive service and body shops; fleet maintenance; machine shops; production and manufacturing lines; construction; wood working shops; dry cleaners; car washes; maintenance/repair shops and farms.



- Durable cast-iron, two-stage design offers extended pump life for years of trouble-free service
- 175 PSI maximum operating pressure
- 100% continuous duty for tough applications
- Automatic start/stop control/pressure switch operation
- Includes motor starter, oil sight glass (10-15 HP only), manual drain

Model	Motor Range At Working Pressure	Free Air Delivery m <sup>3</sup> /hr (cfm) (Horizontal)		Air Receiver	
		hp	7.03 kg/cm <sup>2</sup> g		12.3 kg/cm <sup>2</sup> g
2340	2 – 3		15.12 (8.90)	14.58 (8.60)	0.150 (150) – 0.225 (225)*
2475	5		24.34 (14.32)	23.78 (13.99)	0.225 (225) – 0.300 (300)*
2475	7.5		30.90 (18.20)	30.84 (17.80)	0.225 (225) – 0.300 (300)*
2545	7.5 – 12.5		60.30 (35.50)	59.46 (35.00)	0.300 (300) – 0.500 (500)
7100	12.5 – 20		80.16 (47.20)	79.50 (46.80)	0.300 (300) – 0.500 (500)
15T	15 – 30		133.50 (79.40)	133.02 (78.30)	0.500 (500)

Performance for above models available on request for higher working pressure upto 17.5 kg/cm<sup>2</sup> g. All performance details subject to tolerance as per IS-5456.

Conversion Details :  
 • 1 cfm = 0.02831 m<sup>3</sup>/min  
 • 1 m<sup>3</sup> = 1000 litres  
 • 1 psi = 0.07031 kg/cm<sup>2</sup>  
 • 1 hp = 0.746 kW

STATIONARY

## Electric-Driven Two Stage – Non Lubricated Air Cooled

Ingersoll Rand Two-Stage Non-Lubricated cylinder air compressors are designed to provide instrument-quality air at the highest reliability.

### Application

Pharmaceutical Industries; Petroleum Industries; Laboratories; Building Material; Electrical and Electronic; Textile Industries; Food Processing; Hospitals; Chemical; Spray Painting; Discharge is free from oil contaminant

Model	Motor	RPM	Tank	Piston Displacement		Nomenclature	Air Receiver m <sup>3</sup> (lit.)	Overall Dimensions (mm/inch)		
				lpm	cfm			Length	Width	Height
5T2NL	7.5	660	300	26.25	743	5T2NL D 7.5 LP ASSC	0.150 (150) – 0.225 (225)*	1795(70.70)	705(27.75)	1340(52.75)
5T2NL	10	930	300	37	1048	5T2NL D 10.0 LP ASSC	0.225 (225) – 0.300 (300)*	1795(70.70)	705(27.75)	1340(52.75)
10T3NL	12.50	592	500	47.1	1334	10T3NL E 12.5 LP ASSC	0.225 (225) – 0.300 (300)*	2045(80.50)	760(29.90)	1635(64.35)
10T3NL	15	725	500	57	1614	10T3NL E 15.0 LP ASSC	0.300 (300) – 0.500 (500)*	2045(80.50)	760(29.90)	1635(64.35)
10T3NL	20	844	500	67.13	1901	10T3NL E 20.0 LP ASSC	0.300 (300) – 0.500 (500)*	2045(80.50)	760(29.90)	1635(64.35)

Type : LP; Control : ASSC; Max Pressure : 125 psig

1) For model 5T2NL size is 5" & 3" x 3.5" stroke 2) For Model 10T3NL Size is 5" & 5" & 4.25" x 3.5" stroke

STATIONARY

## Electric-Driven Single Stage – Portable Air cooled

Our Single-Stage electric air compressors are ideal for most professional compressor user. Each air compressor features durable cast-iron construction, 100% continuous duty cycle for the toughest applications and extended pump life for years of trouble-free service.



- Durable cast-iron construction
- Industrial quality design
- 125 PSI maximum operating pressure

Model	Motor	Piston Displacement		Maximum Working Pressure		Air Receiver Option	
		hp	m <sup>3</sup> /hr	cfm	Bar		psig
SS-1	1		06.99	04.12	8.62	125	60 / 100
SS-2	2		14.01	08.25	8.62	125	100 / 150
SS-3	3		23.36	13.75	8.62	125	100 / 150
SS-5	5		42.57	25.06	8.62	125	150

All performance details subject to tolerance as per IS-5456. Above models are available with single phase motor also.

STATIONARY

## Electric-Driven Two & Three Stage – High Pressure

Ingersoll Rand multi-stage high pressure air compressors are designed for high pressure applications. These compressors have extra heavy-duty components and are designed for minimum maintenance and maximum performance. High pressure air compressors are widely used in power generation plant, PET blow moulding industry, military, diving and component testing.



- Durable cast-iron with two, three and four stage design
- Intermediate duty applications
- Extended pump life for years of trouble-free service

Model	Motor	Free Air Delivery cfm At Working Pressure	
		35.1 kg/cm <sup>2</sup> g	70.3 kg/cm <sup>2</sup> g
231	3	4.80	–
251	5	6.45	–
7T4	5	7.86	6.40
7T2	12.5	21.60	–
15T2	20/25	37.70	36.96

High Pressure Receiver Mounted Package		
Model	Motor	Free Air Delivery cfm At Working Pressure
		35.1 kg/cm <sup>2</sup> g
251 Package	5	6.45
7T2 Package	10-12.5	21.60
15T2 Package	20	37.70
15T2 Duplex Package	40	75.40

For high pressure operation, adequate care must be taken for proper selection. Our distributors would be happy to assist you in correct selection of model. Models are also available for higher working pressures upto 351 kg/cm<sup>2</sup> g. Details available on request.